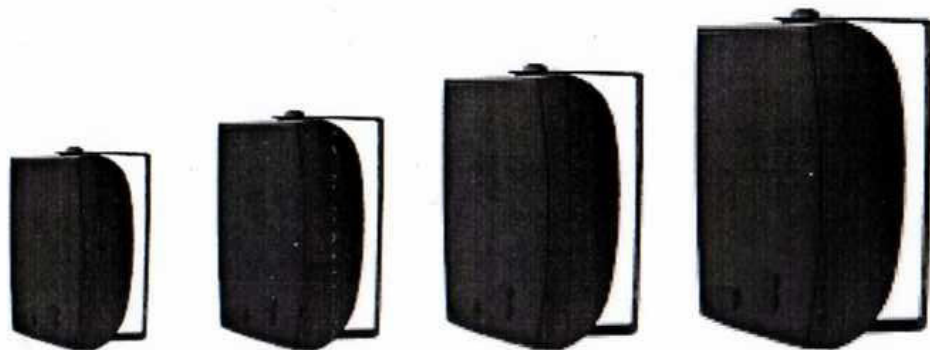


## Wall Mount Speaker System DSP606 Series



DSP6061

DSP6062

DSP6063

DSP6064

### OWNER'S MANUAL

In order to facilitate installing, modulating and running please read this manual carefully before setup.

### FEATURES:

- Made of high quality engineering plastic, long-term durability, never out of shape and fade;
- Equipped with hanging holes for mounting;
- Long life, sounds clear and sonorousness.

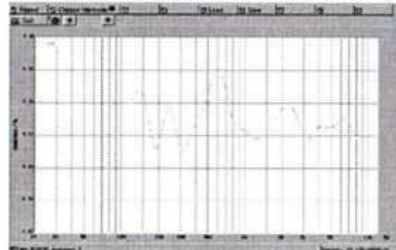
### FREQ. RESPONSE

(dB SPL, 1W, 1m)

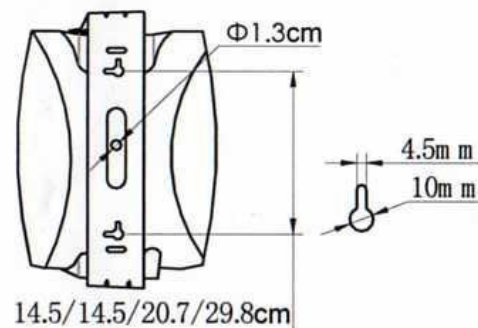


### DISTORTION

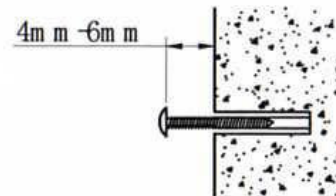
(THD < 1.5% 1W, 1m, 200Hz~12kHz)



### HANGING HOLE



### NAIL FOR MOUNTING



### INSTALLATION

1. Use hardware to nail two  $\text{O}4\text{mm}$  screws on the wall where it is needed to install a speaker, you can choose horizontal or vertical direction to hang the speaker as you wish. The distance between the wall and the cap is 4-6mm.
2. Connect audio broadcasting wire to the terminals according to the table below;

Terminal	Line voltage	
	70V	100V
Red---Black	5/10/15/25W	10/20/30/50 W

Data in the table are RMS DSP6061 /DSP6062 /DSP6063 /DSP6064 respectively.

3. Adjust the speaker for desired position and make sure if it is steady.

### SPECIFICATIONS

MODEL	DSP6061	DSP6062	DSP6063	DSP6064
Freq.Resp	110-20,000Hz	100-20,000Hz	85-20,000Hz	70-20,000Hz
Sensitivity (1m, 1W)	90dB	91dB	92dB	93dB
MSPL (1m)	100dB	104dB	107dB	110dB
Rated Power	10W	20W	30W	50W
Dimensions (L×W×H)	150×170×180mm	170×185×200mm	195×210×330mm	276×255×442mm
Weight	2.8kg	3.4kg	4.2kg	8.4kg