



MULTI-FUNCTION CONFERENCE SYSTEM 1660T176

OPERATION MANUAL



Brief introduction

This system designed by the latest digital technology in accordance with IEC914 and ISO standards. It's a high effectional meeting system for a meeting or conference, and it's easy to setting-up, debugging and using without training.

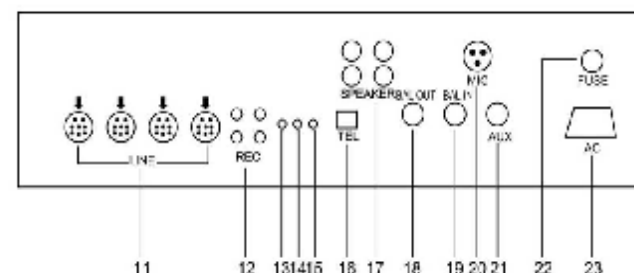
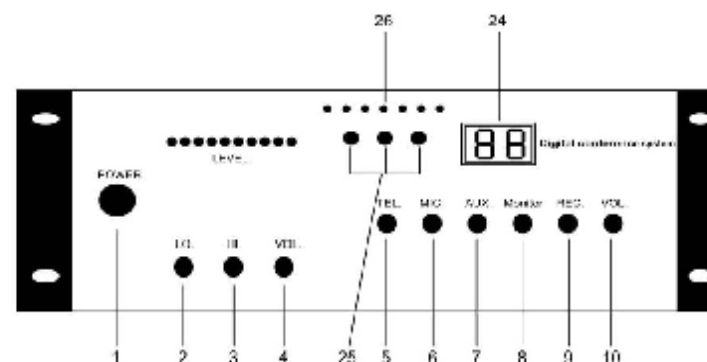
1.0 System Configuration

Main frame, Chairman unit, Delegate unit, SYSTEM B Cable.

1.1.1 Main frame

1. Designed accordance to ISO and IEC914 standards.
2. Built-in power supplying device and signal amplify, which can support more than 60 groups of the speech equipment. The system can be extended to more than 150 units.
3. Equipped with four groups of 9P-DIN plugs for system connecting.
4. Possess the output socket of audio frequency equipment.
5. Equipped with BAL socket.
6. Built-in TELEPHONE COUPLE for telephone conference.
7. Built-in volume processor for volume regulating.
8. System volume can be regulated independently.
9. Equipped with AUX input socket, and the volume can be regulated independently.
10. Equipped with a group of wire microphone input socket.
11. Built-in 2*50W amplifier for volume adjusting.
12. Built-in monitor loudspeaker (1W) for volume regulating.
13. Equipped with 9 LED indicator lamps.
14. Digital display and working mode indicator lamp on the panel.
15. Equipped with three buttons for choosing the working mode: setup/enter.
16. Support many kinds of conference mode: open mode, FIFO mode, and limit mode.
 - Open mode: All the delegates can give a speech freely
 - FIFO mode: first in, first out; first indicators, first offers
 - Limit mode: MIC 1-19 limit
17. Indicative sound for chairman unit (optional)
18. Power consumption: 550W.
19. Support the function of video camera auto-track.

1.1.2 Schematic diagram of the main frame



- | | |
|--|-------------------------------------|
| 1. Power switch | 14. HIGH |
| 2. LO. | 15. LOW |
| 3. HI. | 16. TEL IN |
| 4. VOL. Of the main frame | 17. SPEAKER 4-16Ω |
| 5. TEL switch and volume control | 18. BAL OUT |
| 6. Wire MIC volume control | 19. BAL IN |
| 7. AUX input volume control | 20. MIC input socket |
| 8. Monitor | 21. AUX |
| 9. REC | 22. FUSE 10A |
| 10. System volume control | 23. Power supply jack (AC220V/50Hz) |
| 11. (LINE) 9P-DIN sockets | 24. Digital display |
| 12. REC. OUT | 25. Mode set |
| 13. (MUSIC) Indicative sound for chairman unit | 26. Mode indicator lamp |

1.2.1 Meeting microphone

Meeting microphone can be divide delegate unit and chairman unit, portable series and embedded series.

1.2.2 Delegate unit

1. Designed in accordance to ISO and IEC914.
2. Speaking and listening function.
3. The system power supply for all the delegate units is provided by the main frame at 24 safe voltage.
4. 9P-DIN plugs for system T-type connection.
5. Unidirectional electret MIC and HI-FI voice loud-speaker.
6. Electric capacity type microphone, equipped with windshield cover.
7. Extended pipe optional.
8. The annular red indicator lamp could show the state of the microphone.
9. The microphone has a speaking button and indicator lamp; it can control the state of speech.
10. Equipped with an earphone output jack and REC output jack.
11. All the loudspeakers will be under idle state simultaneously when microphone is on and the red indicators will light.
12. Auto-off function: The microphone would close automatically in 30 seconds after making a speech.

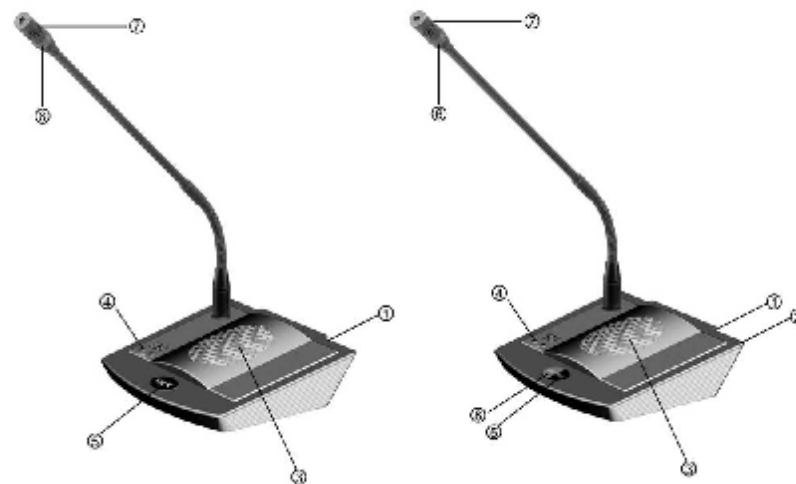
1.2.3 Chairman unit

Including the functions of the delegate unit, chairman unit has other following functions.

1. The chairman unit number in the system is unrestricted, can join in any position of the system.
2. Equipped with an earphone output jack and wireless MIC input jack.
3. Turn down delegate MIC by press the priority button.
4. Indicative sound for chairman unit (optional)

1.2.4 Schematic diagram of the meeting microphone

- ① Earphone jack, 3.5mm jack
- ② Wireless MIC jack of chairman unit. Delegate has REC output jack, 3.5mm jack
- ③ Built-in loudspeaker
- ④ Volume control
- ⑤ (TALK) ON/OFF button
- ⑥ Annular red indicator lamp
- ⑦ Unidirectional electret MIC
- ⑧ Priority button. Chairman unit can turn down delegate MIC by press the priority button.



1.3.1 Setting-up and debugging

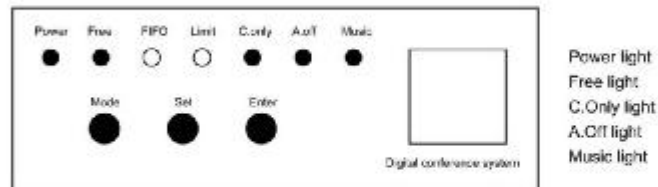
Connect the main frame with meeting microphones by the system cable, press the power switch, and then choose the working mode according to the meeting requesting. There are three modes for choosing: Free mode, FIFO mode and Limit mode. The mode is in effect when the mode indicator is light. And the system permits only one mode working at the same time. Each mode include three accidental modes C, only mode, Auto-off mode and Indicative sound for chairman unit mode. This three accidental mode can working with the main mode.

- Free Mode: All the delegates can give a speech freely.
- FIFO Mode: It means the operator set the speaking limit number first, when the speaking number reached the limit number limitation. (First in, first out)
- Limit Mode: It means the operator set the speaking limit number first when the speaking number reached the limit number in the meeting, other mic should wait the speaking unit off, then it can make a speech.
 - a) Chairman only mode: The delegate unit cannot work when press PRIO button on the chairman unit, only exit this mode delegate unit can work.
 - b) Auto-Off mode: The mic will auto-off within 30 seconds after the delegate make a speech.
 - c) Indicative sound for chairman unit (optional)

★ Debugging of Free mode

1. Press the mode button when the free indicator lamp glittering, and the other two modes' indicator mode are off, only the free indicator lamp glittering. The Free indicator lamp will stop glittering after 15 seconds, it means that you have chosen the system-working mode. Then you can set its accidental mode: C.only mode, Auto-off mode and Indicative sound for chairman unit mode.
2. Press the mode button when the C.only indicator lamp glittering, press the Enter button to choose the chairman precedence-speaking mode. C.only indicator light and glittering 2 seconds, then it enter the C.only mode. If C.only indicator lamp is glittering after it's off about 2 seconds, the working mode is ordinarily chairman mode.
3. Press the Mode button after choosing, the C.only indicator lamp stop glittering, A.off indicator lamp glittering, A.off indicator light and glittering 2 seconds, then it enter the Auto-off mode is off.
4. Press the Mode button after choosing, the music indicator lamp glittering, press chairman precedence-speaking button to choose Indicative music for chairman unit. Music indicator light and glittering 2 seconds, then it enter the Indicative sound for chairman unit mode. If Music indicator lamp is glittering after it's off about 2 seconds, the Indicative sound for chairman unit mode is off.

Then press the Mode button to save the setting. If you choose the free mode+ C.only mode+ Auto-off mode+ indicative sound for chairman unit mode. The panel display is like the following fig.



5. FIFO mode

Press the mode button when the FIFO indicator lamp glittering, and the other two modes' indicator mode are off, only the FIFO indicator lamp glittering. Then setting the number of FIFO mode, press the set button to choose the number, press the Enter button after you have choose the number. The FIFO indicator lamp will stop glittering after 15 seconds, it means that you have chosen the system-working mode. Then you can set its accidental mode.

6. Limit mode

Press the mode button when the Limit indicator lamp glittering, and the other two modes' indicator mode are off, only the Limit indicator lamp glittering. Then setting the number of FIFO mode, press the set button to choose the number, press the Enter button after you have choose the number. The Limit indicator lamp will stop glittering after 15 seconds, it means that you have chosen the system-working mode.

1.3.2 Operation of the delegate unit

Turn on the microphone by press the button (TALK), the red indicator is on, and then the inner speaker is off your can make a speech. Press the button again, the red indicator is off, you can have a listening.

1.3.3 Operation of the chairman unit

The chairman unit is the same as the delegate units except an additional priority button. When this button is out on, the chairman microphone is turn on while the delegate microphone being turn off until the priority button is released. You can also adjust the Indicative music sound for chairman unit.

1.3.4 Operation of the telephone meeting

Telephone coupling makes the talking and discussing between the delegates at the meeting and others in distance through a telephone. It can be connected by the TEL IN socket, which at the rear panel of main frame.

1.4 Technical Data

Model	Main frame	Microphone unit
	Date	
Input/Output	9P-DIN Socket(x4) Extension Unit Output(LINE I □ III IV) REC socket, BAL Input POWER input	9P-DIN Socket REC output Earphone output
Voltage	AC 220V/50Hz	DC 24V (Supply by 9P cable)
Power consumption	550W	2W
Dimension	430x380x130mm	147x135x55mm/MIC pipe 475mm
Sensitivity	-55dB Wire microphone	-44dB±2dB
Frequency response	100Hz- 13KHz	100Hz- 13KHz
Weight	kg	kg
Color		
Installation	19-inch frame	Removable
We remain the right to modify any issue without notice in advance.		

1.5 Trouble shooting

	Problem	Solution
1	The power indicator lamp is not light	Make sure the power cable is connected well.
2	No sound	1. Make sure the power cable is connecting the main frame well and the volume of the system unit is opened. 2. Make sure the LINE of the main frame is opened.
3	The telephone can not work	1. Make sure the telephone line is insert well or other is phoning now. 2. Whether the TEL is opened.
4	Therecording OUTPUT has no sound	Whether the output cable is sort circuit or REC has opened.

Caution:

Please prevent the equipment dripping by water, do not put the liquid articles such as vase on the equipment.

The power switch of the equipments is monopole; please pullout the plug if the will not be used for a long time. The switch has already been turn on when the power indicator lamp is on, and the switch has already been turn of when the power indicator lamp is off.

This machine has no maintain part, for preventing electric shock from being dangerous, do not turn on the machine cover without permission. If need to maintain, please contact sale agent.

The appearance of the products is subject to material object, We remain the right to modify any issue without notice in advance.

Schematic diagram

